

CS11

Compact Media Isolated Pressure Sensor

The CS11 is a compact media isolated pressure sensor where the silicone sensing element is isolated by a fluid filled cavity. Sensors are available with a millivolt output signal and either 316L SS or Hastelloy C276 wetted material for compatibility in a variety of medias. With available pressure ranges from 0-2 up to 2,000 PSI, the CS11 is an economical choice in applications with minimal installation space.



Features

- $\leq \pm 0.2\%$ BFSL accuracy
- Compact design
- Pressures from 0-2 up to 2,000 PSI
- Flush diaphragms available

Applications

- Pressure measurement in confined areas
- Low pressure monitoring
- General industrial equipment
- Pressure control panels



SPECIFICATIONS

Performance

Accuracy*	$\leq \pm 0.2\%$ BFSL
Stability (1 Year)	$\leq \pm 0.2\%$ of FS
Pressure Cycles	10 million
Overpressure	2X minimum
Burst Pressure	5X or 4,000 PSI, whichever is less

*Accuracy includes non-linearity, hysteresis and non-repeatability

Thermal

Operating Temperature	-40 to +120°C
Storage Temperature	-40 to +125°C
Compensated Temperature	0 to +70°C
TC Zero	$\leq \pm 1.5\%$ FS
TC Span	$\leq \pm 1.5\%$ FS

Electrical

Output	10mV/V
Excitation	5VDC, typical
Current Consumption	<5mA
Output Load	>1M Ohms
Frequency Response	~ 5 kHz
Input Impedance	5000Ω, typical
Zero Offset (of FS)	$\leq \pm 2\%$ max
Span Tolerance (of FS)	$\leq \pm 2\%$ max

For wiring information, visit <http://www.core-sensors.com/wiring>

Environmental

EMI/RFI Protection	N/A
Vibration	10g, 20 to 2000Hz
Shock	100g, 11 msec, 1/2 sine

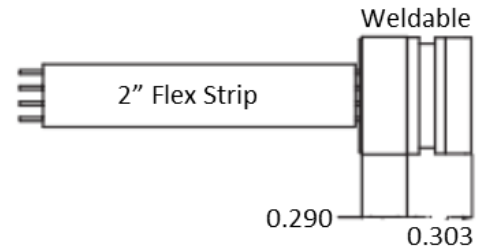
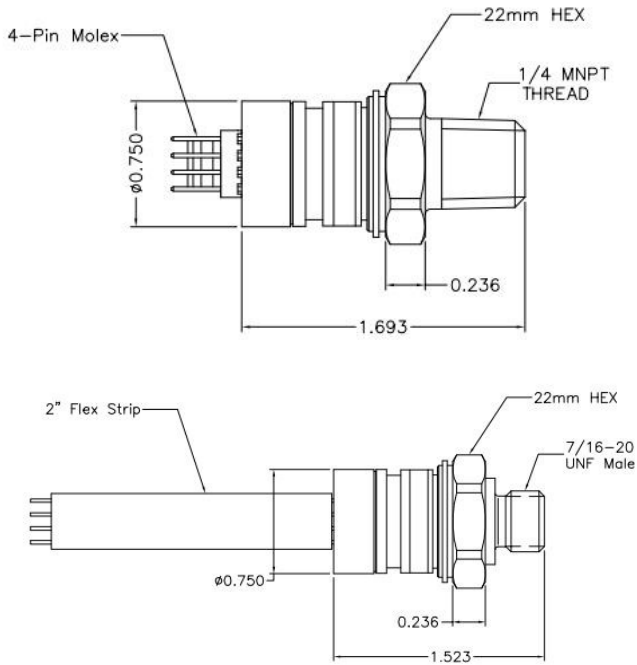
MODEL NUMBER CONFIGURATION

CS11- X X XXXXX X X 9 X XXX -00

<p>Model Family CS11 - Compact Media Isolated Transducer</p> <p>Process Connection 1 = 1/2" NPT Male 2 = 1/4" NPT Male 3 = 1/8" NPT Male 4 = 7/16-20 UNF Male 5 = Weldable 9 = 1/2" NPT Male Flush</p> <p>Wetted Material A = 316L SS C = Hastelloy C276 (special order item)</p> <p>Pressure Range Insert 5-digit pressure code, max 2,000 PSI (i.e. 2000 = 2,000 PSI)</p> <p>Pressure Unit P = PSI B = Bar M = Millibar</p>	<p>Cable Length 00 = No cable (See "Electrical")</p> <p>Options 000 = No Special Options</p> <p>Electrical T = 2" Flex Strip U = 4-Pin Molex</p> <p>Output 9 = 10mV/V</p> <p>Pressure Reference A = Absolute G = Gauge V = Vacuum (Gauge)</p>
--	--

* Ordering Example: CS11-9A00100PG9T000-00 (0 to 100 PSI, 1/2" NPT Male Flush, 10mV/V, 2" Flex Strip, 316L SS, Gauge)
* Contact factory for custom configurations not shown

DIMENSIONS



*Dimensions are for reference only



We are committed to delivering the highest quality instrumentation on every order.

Core Sensors warrants that all items shipped will be free of defects in material and workmanship for a period of one (1) year from the date of shipment.

View complete warranty information online at www.core-sensors.com.